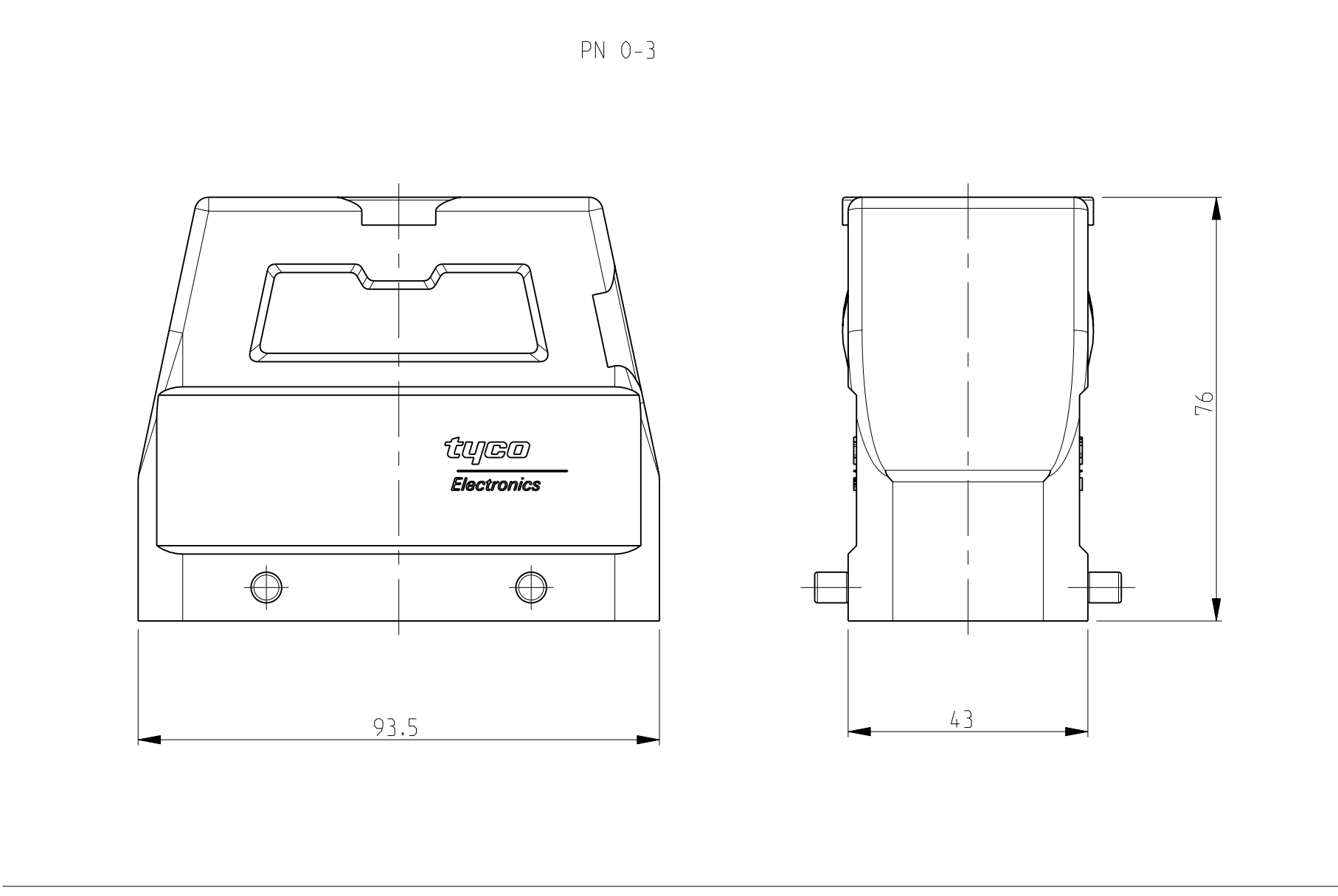
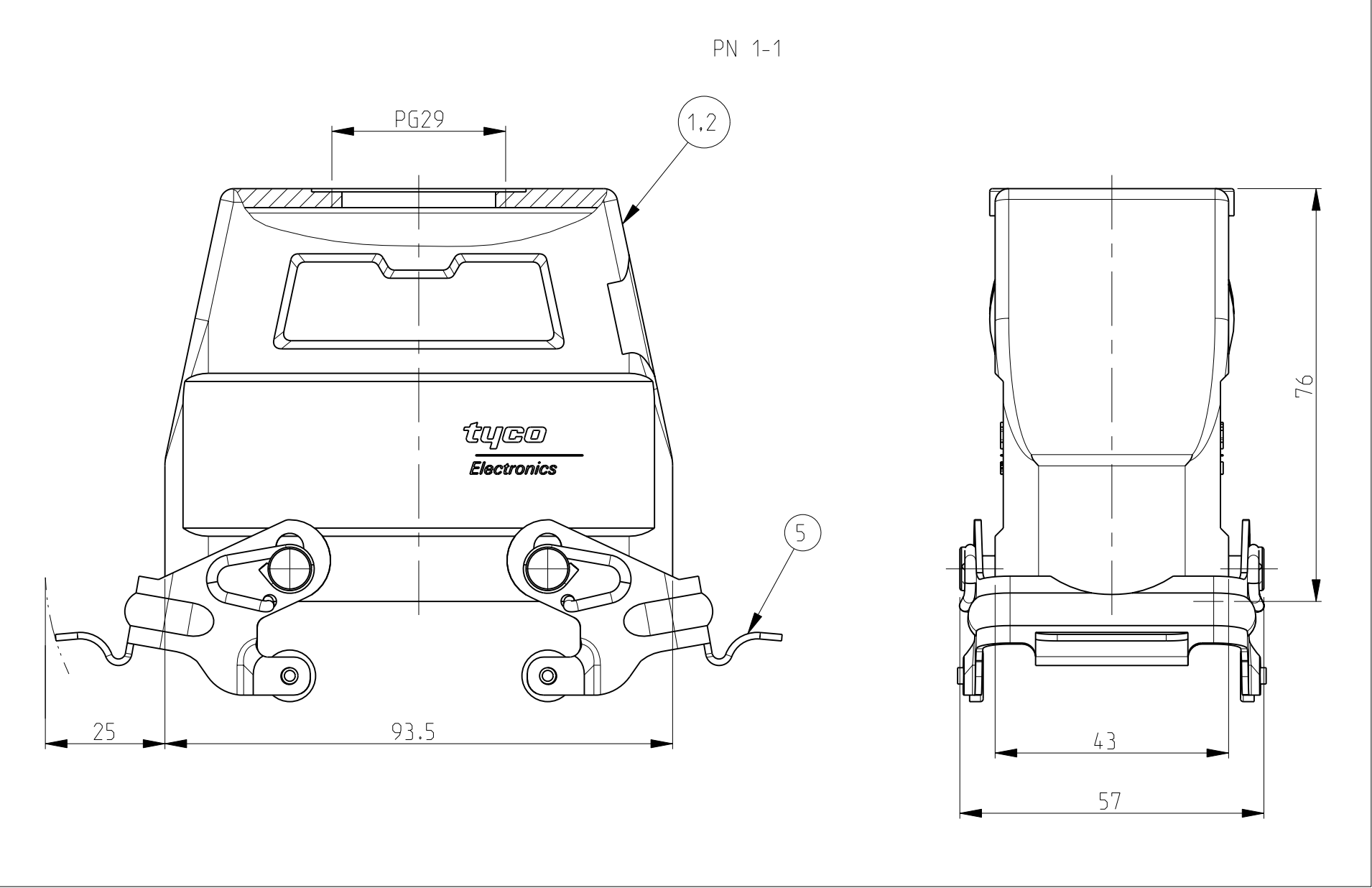
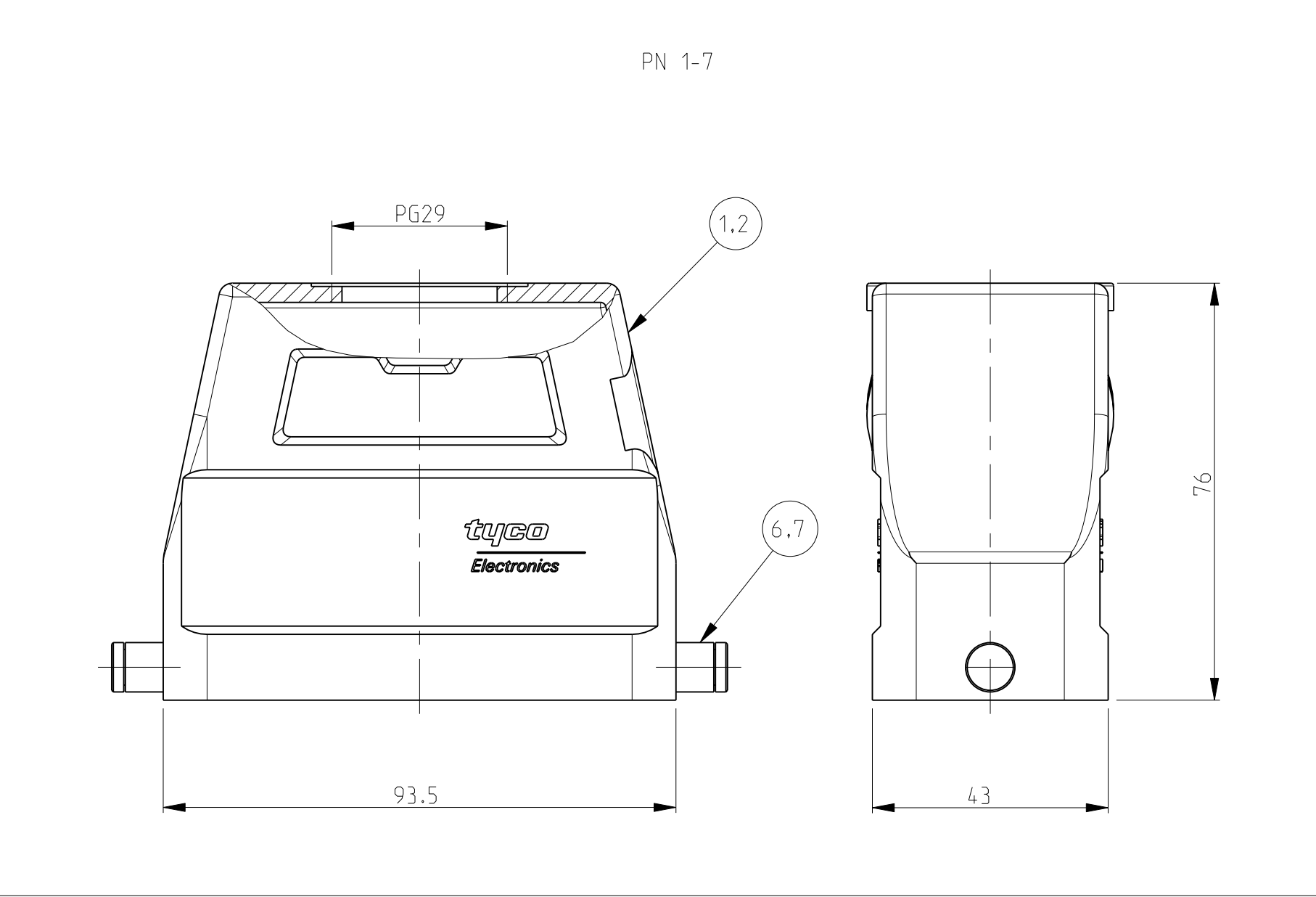
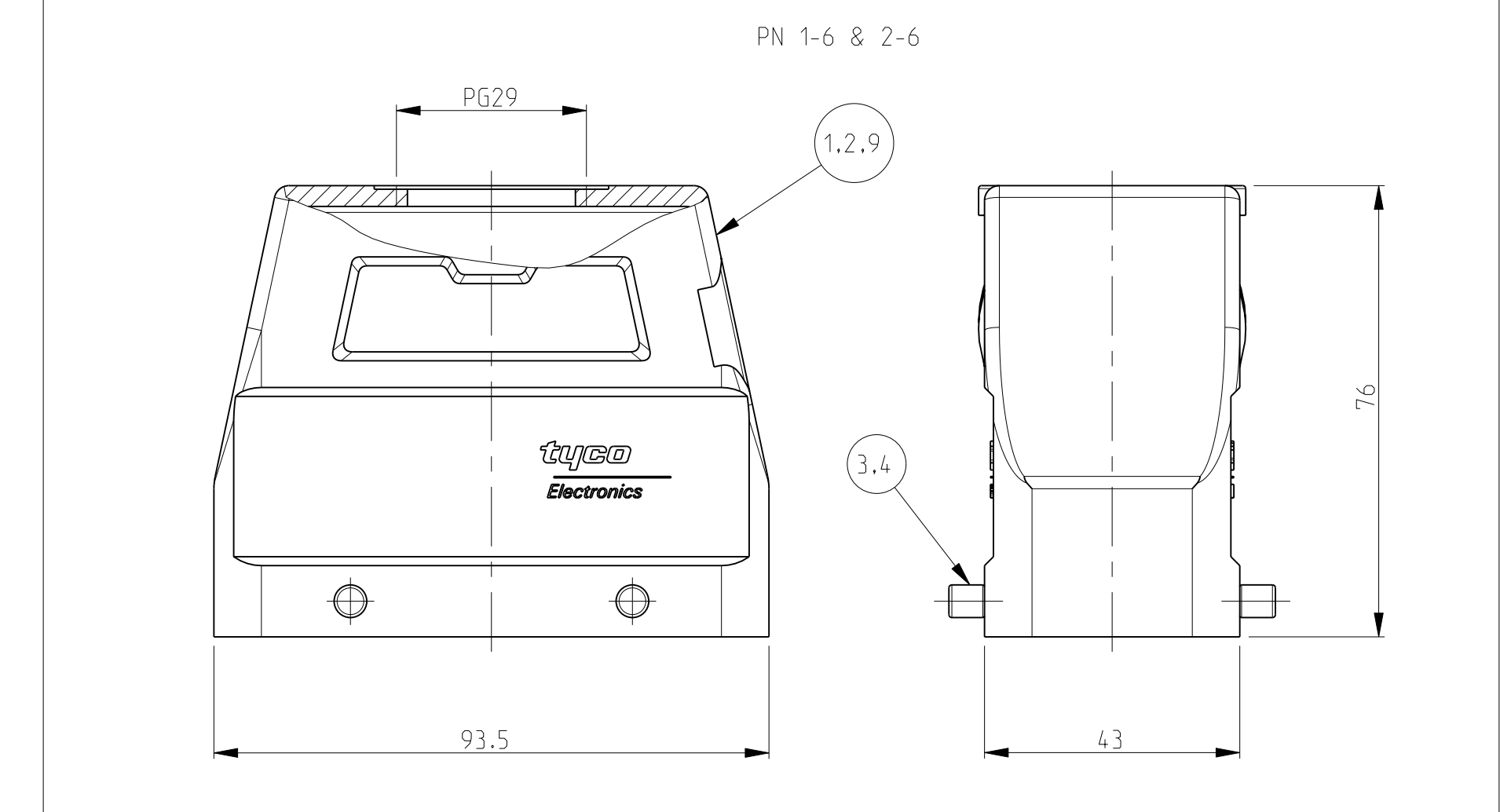
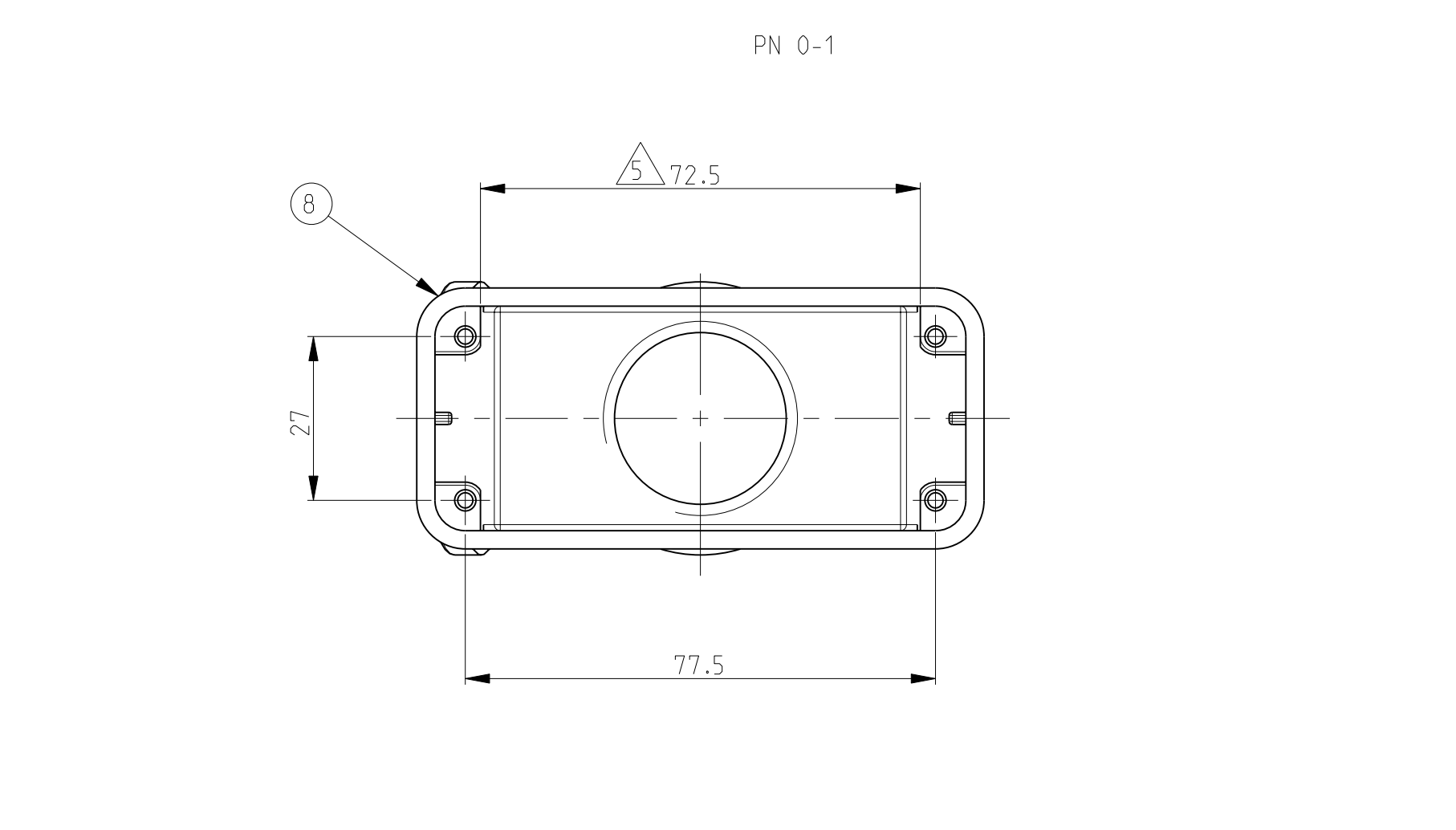
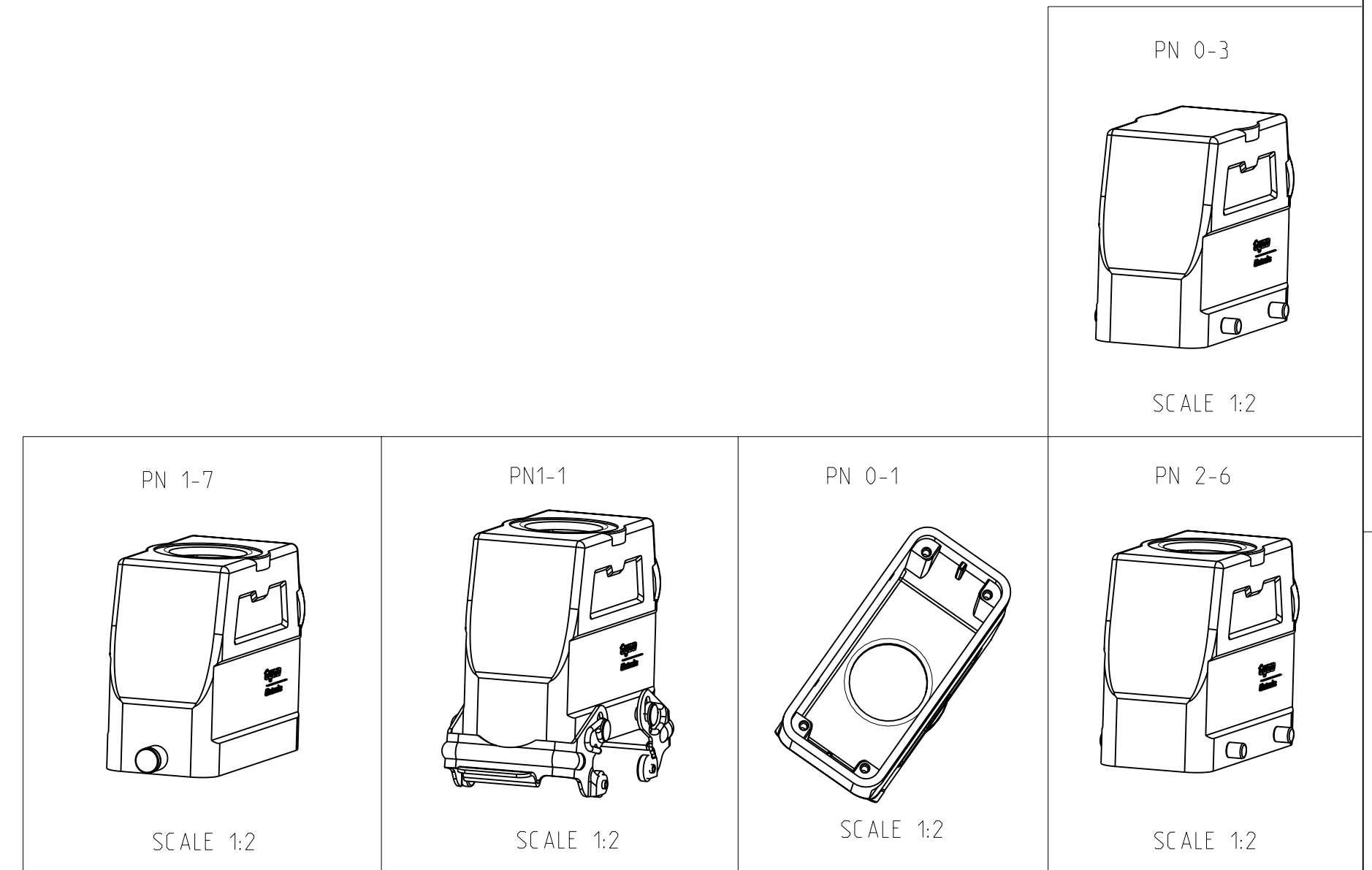


LOC	DIST	REV	DATE	DWN	APVD
A1	-	A6	09-07-07	SK	TS



- NOTES
- Material: Housing: aluminium diecasting alloy
 - Surface:- Powder varnish-grey
Varnish black
 - Varnish on the inside not necessarily
 - Packaging quantity: 5 pieces
- △ Valid only for PN 0-1
 Landing at measure 72.5 (20mm Deep) milled off : bothsides



QTY	DESCRIPTION	MATERIAL	SURFACE	COLOR	ITEM NO	NOTES
1	HD-K Hood	Aluminium	Aluminium oxide	Black	9	With out PG-thread
1	HD-K Hood	Aluminium	Aluminium oxide	Black	8	Landing milled off △
2	LB-Clip bolt	Stainless Steel	Even	-	7	-
2	LB-Clip bolt	Steel	Zinc plated	Blue	6	-
4	VS-Locking clip	Steel	Zinc plated	Blue	5	-
4	VS-Clip bolt	Stainless Steel	Even	-	4	-
4	VS-Clip bolt	Steel	Zinc plated	Blue	3	-
1	HD-K Hood	Aluminium	Aluminium oxide	Black	2	-
1	HD Hood	Aluminium	-	Grey	1	-

ORDERING TEXT

HD.40.STO.1.29.G
 HD-K.40.STO.1.29.G
 HD.40.STO-VS.1.29.G
 HD.40.STO-GR.1.29.G
 HD-K.40.STO.1.29.G △
 HD-K.40.STO-GR.1.29.G △

HD-K.40.ST

DIMENSIONS: mm TOLERANCES UNLESS OTHERWISE SPECIFIED: 0 TO 30 mm ± 0.10 mm 30 TO 50 mm ± 0.15 mm 50 TO 100 mm ± 0.20 mm 100 TO 150 mm ± 0.25 mm 150 TO 200 mm ± 0.30 mm 200 TO 300 mm ± 0.40 mm 300 TO 400 mm ± 0.50 mm 400 TO 500 mm ± 0.60 mm 500 TO 600 mm ± 0.70 mm 600 TO 700 mm ± 0.80 mm 700 TO 800 mm ± 0.90 mm 800 TO 900 mm ± 1.00 mm 900 TO 1000 mm ± 1.10 mm		DWN: Schneider 30.05.00 CHK: Schweiger 30.05.00 APVD: - NAME: HOOB HD.40.STO.1.29.G PRODUCT SPEC: - APPLICATION SPEC: - WEIGHT: - CUSTOMER DRAW ING: -	Tyco Electronics AMP GmbH 0-53819, Neunkirchen, Germany SCALE: 1:1 SHEET: 1 OF 1 REV: A6
--	--	---	--